

THIS DRAWING IS UNPUBLISHED.

RELEASED FOR PUBLICATION

ALL RIGHTS RESERVED.

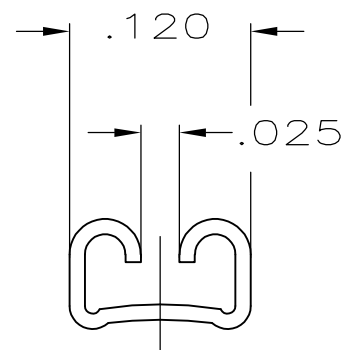
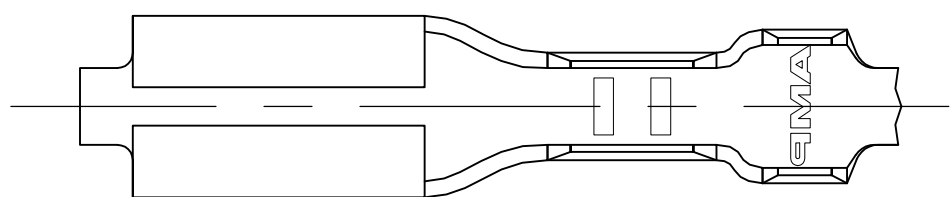
© COPYRIGHT - By -

LOC AF DIST 50

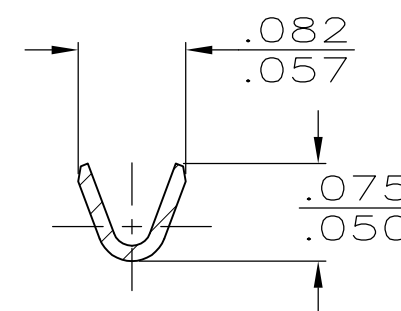
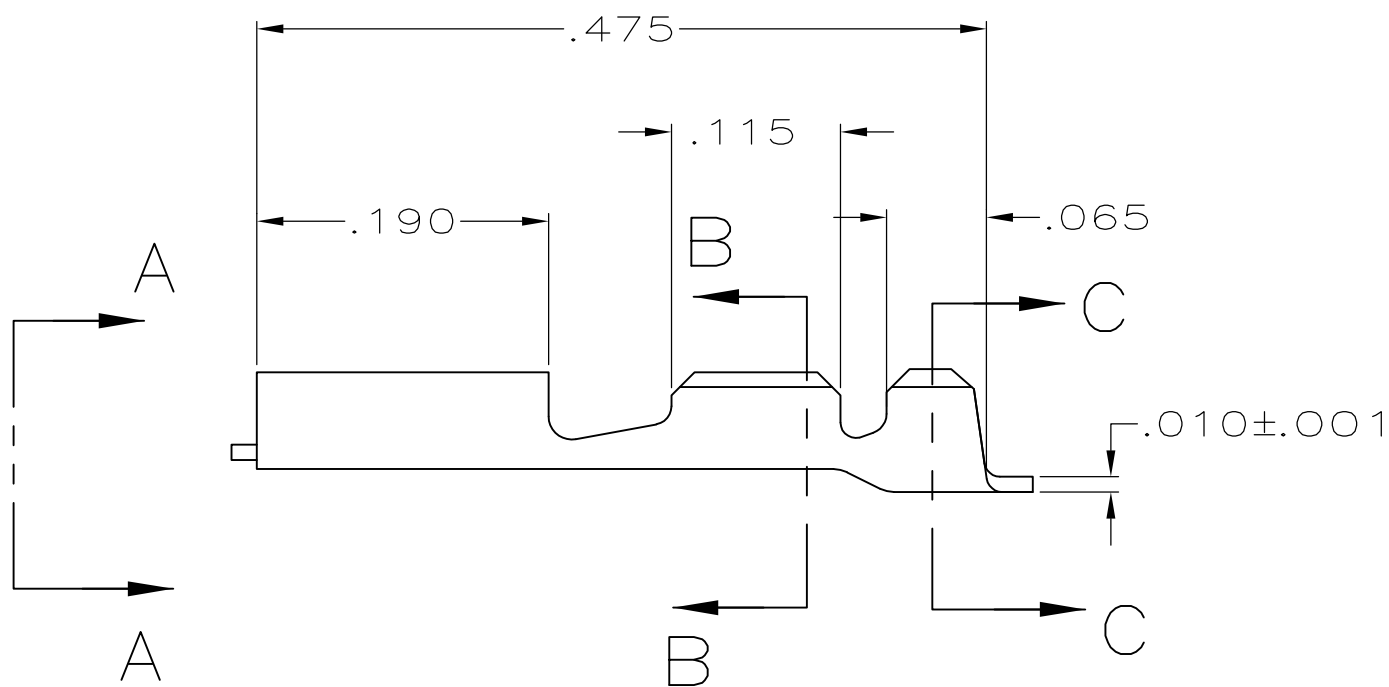
REVISIONS

P	LTR	DESCRIPTION	DATE	DWN	APVD
	F	REVISED PER ECR-12-013459	28NOV2012	KH	PD

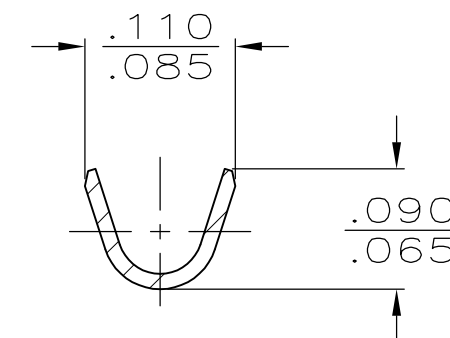
- 1 CONTINUOUS STRIP ON REELS.
- 2 MATING TAB SIZE IS .093 X .032±.001.
- 3 WIRE SIZE IS #26-#22 AWG.
- 4 INSULATION RANGE IS .035-.060 DIA.



VIEW A-A



SECTION B-B



SECTION C-C

61813-1

PART NO.

THIS DRAWING IS A CONTROLLED DOCUMENT.

DWN JR RUTH 8/26/97

CHK MS FEHER 8/26/97

APVD J HUZVAR 8/26/97

PRODUCT SPEC

APPLICATION SPEC

WEIGHT -

CUSTOMER DRAWING

**STE** TE Connectivity

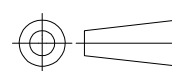
NAME TAB RECEPTACLE, .093

SIZE A3 CAGE CODE 00779 DRAWING NO C-61813 RESTRICTED TO -

SCALE 8:1 SHEET 1 OF 1 REV F

DIMENSIONS: INCHES

TOLERANCES UNLESS OTHERWISE SPECIFIED:



0 PLC	± -
1 PLC	± -
2 PLC	± -
3 PLC	± .015
4 PLC	± -
ANGLES	± -

MATERIAL BRASS FINISH PRE-TIN